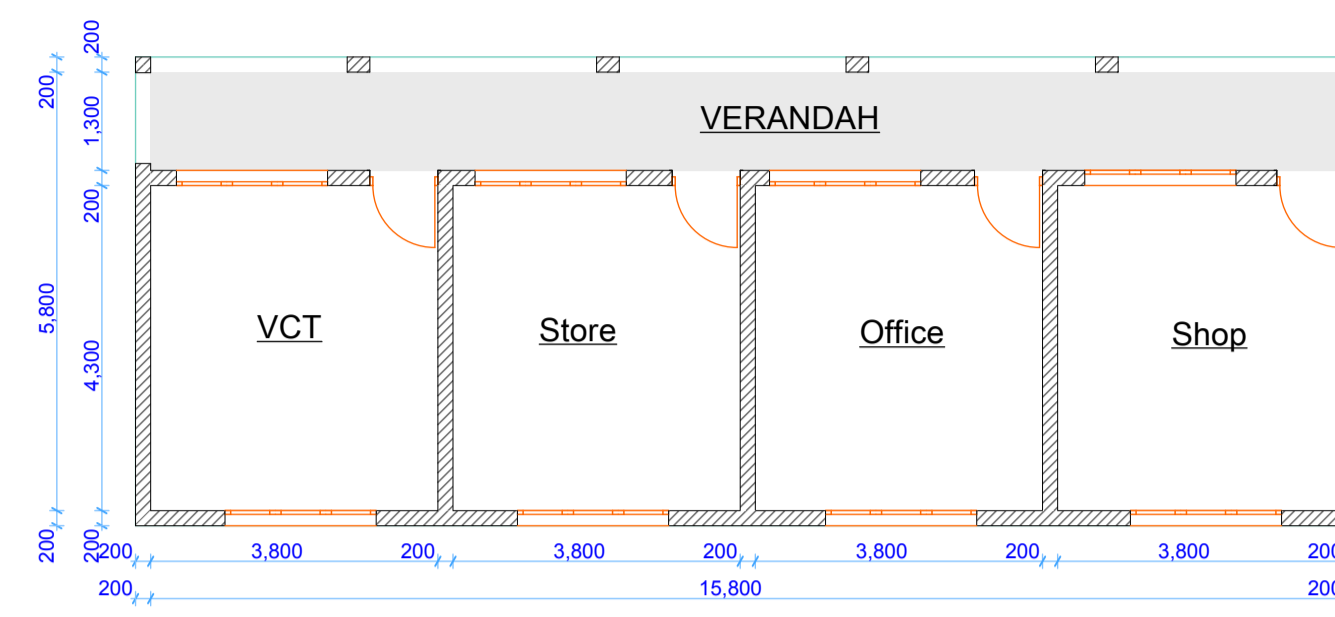
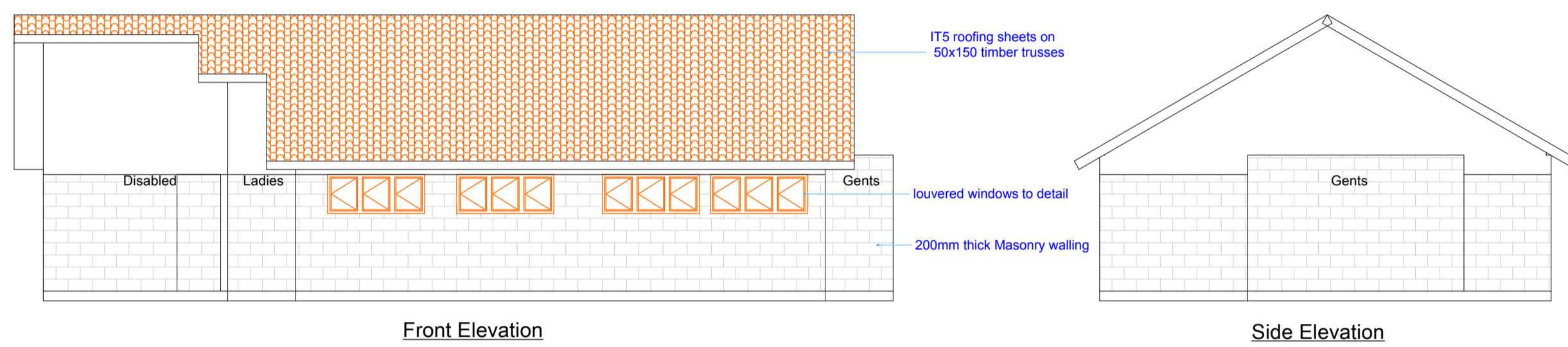


PROPOSED ABLUTION BLOCK/CHANGING ROOM

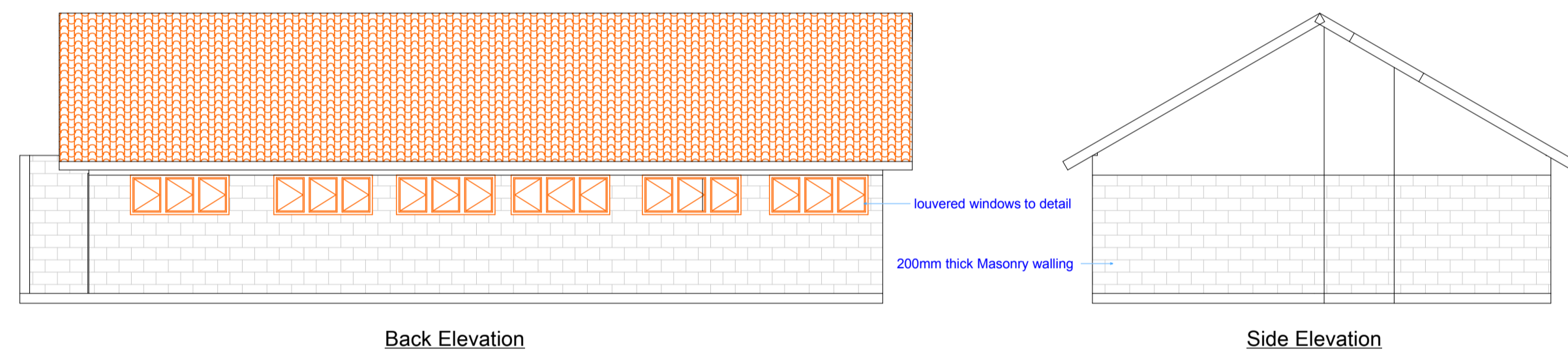


PROPOSED OFFICE AND SHOPS



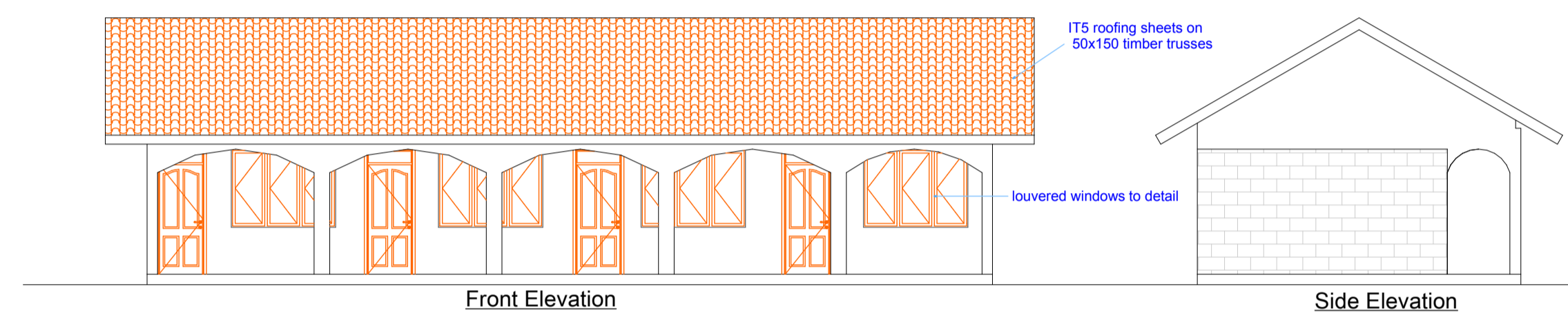
Front Elevation

Side Elevation



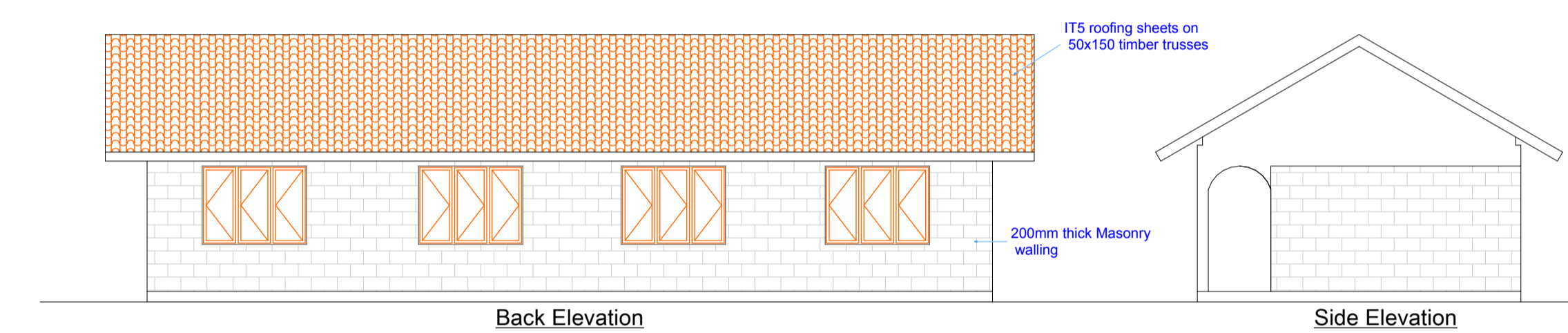
Back Elevation

Side Elevation



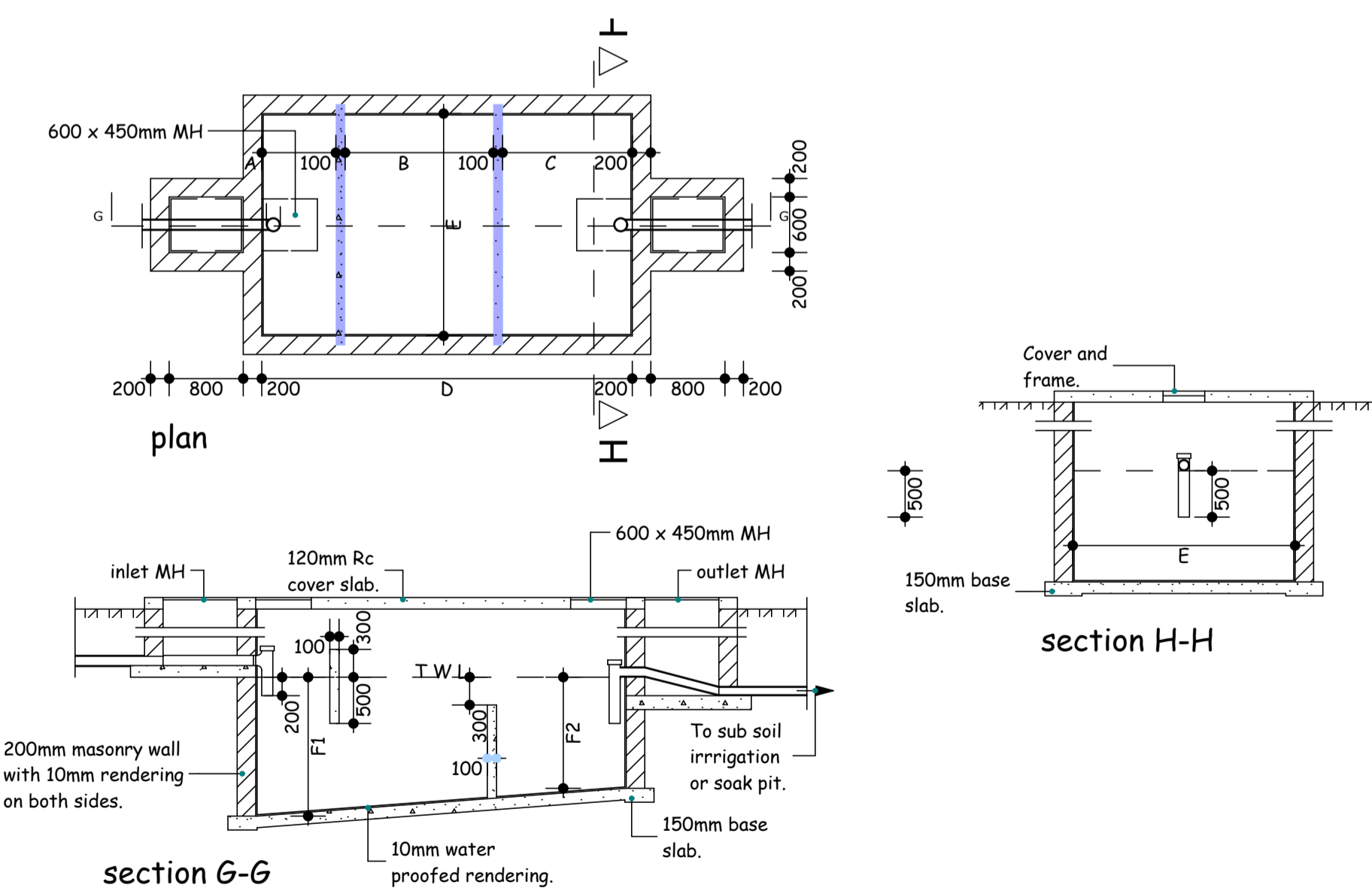
Front Elevation

Side Elevation



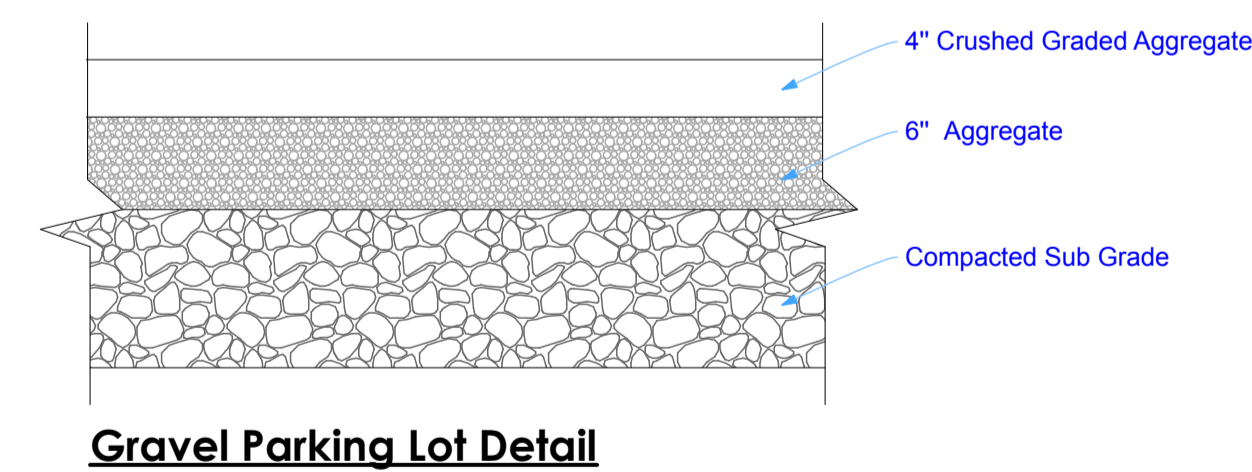
Back Elevation

Side Elevation

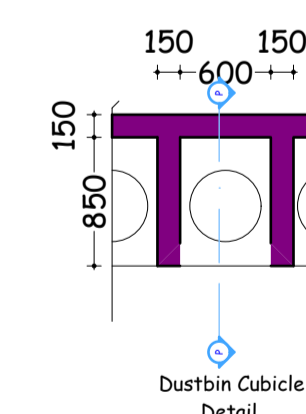


section G-G

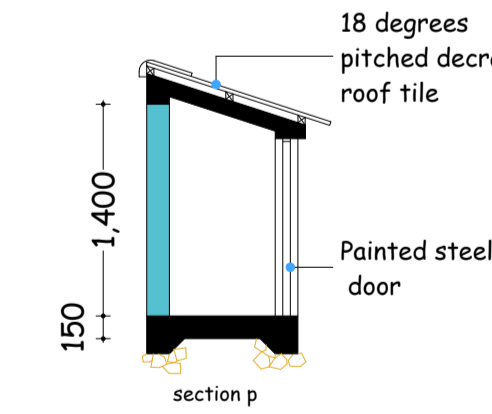
section H-H



Gravel Parking Lot Detail



Dustbin Cubicle Detail



section p

<p>architects Architects, planners and interior designers Cell, 0720-396075/0721232658 P.O. Box 14575-00100, NAIROBI- KENYA</p> 	<p>notes 1. ALL DIMENSIONS MUST BE CHECKED ON SITE BY THE CONTRACTOR BEFORE WORK COMMENCES. 2. ALL R.C. COLUMNS, SLABS, FOUNDATIONS AND ROOF STRUCTURES TO STRUCTURAL ENGINEER'S DETAILS. 3. FIGURED DIMENSIONS TO BE TAKEN IN PREFERENCE TO SCALED DIMENSIONS. 4. THIS DRAWING MUST BE READ IN CONJUNCTION WITH DRAWINGS CODED THEREIN. 5. COPYRIGHT IN THIS DRAWING AND IN THE WORK EXECUTED FROM IT, IS THE PROPERTY OF THE DESIGNER. 6. ALL DIMENSIONS ARE IN MM UNLESS OTHERWISE STATED.</p>	<p>revisions</p>	<p>project title  Proposed Remodelling of MTG Playground on Plot No.----- Kilifi County</p>	<p>job title  WORKING DRAWINGS</p> <p>drawing title</p>	<p>job number  AB/07/05/2015</p> <p>owner  MOVING THE GOAL POST</p>	<p>sheet no of  Scale 1:100, 1:200 Drawn AG Checked: AG Date May,2015</p>
---	---	------------------	---	---	---	---